

Effective date: 06/05/2021
Status: APPROVED



Class Rules

International Formula 18 Class Association



The International Formula 18 catamaran formula was developed in 1993 by Olivier Bovyn and Pierre-Charles Barraud and was adopted as a Recognised Class in 1996 and as an International Class in 2002.

sport / nature / technology



World Sailing
Class Association

INDEX

PART I – ADMINISTRATION

Section A – General

A.1	Language	4
A.2	Abbreviations	4
A.3	Authorities.....	4
A.4	Administration of the Class.....	4
A.5	Class Rules Changes	4
A.6	Class Rules Amendments	4
A.7	Class Rules Interpretation	4
A.8	WS Plaque Fee	5
A.9	Sail Numbers.....	5
A.10	Certification.....	5
A.11	Initial Certification.....	5
A.12	Validity of Certificate	5
A.13	Re-certification	6
A.14	Retention of Certification Documentation	6

Section B – Boat Eligibility

B.1	Class Rules and Certification.....	6
B.2	Certification Marks	6

PART II – REQUIREMENTS AND LIMITATIONS

Section C – Conditions for Racing

C.1	General.....	7
C.2	Advertising.....	7
C.3	Crew	7
C.4	Personal Equipment	8
C.5	Portable Equipment.....	8
C.6	Boat	8
C.7	Hulls	8
C.8	Hull Appendages.....	9
C.9	Rig.....	9
C.10	Sails	10

Section D – Hull

D.1	Parts.....	10
D.2	General.....	11
D.3	Hull shells	11
D.4	Beams.....	11
D.5	Trampoline.....	12
D.6	Platform.....	12

Section E – Hull Appendages

E.1	Parts.....	13
E.2	General.....	13
E.3	Centreboard/Daggerboard.....	13
E.4	Rudder Blade, Rudder Stock and Tiller.....	14

Section F – Rig

F.1	Parts.....	15
F.2	General.....	15
F.3	Mast.....	15
F.4	Boom.....	16
F.5	Bowsprit.....	16
F.6	Standing Rigging	17
F.7	Running Rigging.....	17

Section G – Sails

G.1	Parts.....	18
G.2	General.....	18
G.3	Mainsail.....	18
G.4	Jib.....	20
G.5	Gennaker.....	20

PART III – APPENDICES

Appendix A – Builder's declaration.....	22
Appendix B – Sailmaker's declaration..	23
Appendix C – Class Drawings.....	24
Appendix D – Cloth List.....	37

INTRODUCTION

This introduction only provides an informal background and the International Formula 18 Class Rules proper begin on the next page.

The overall objective of the Formula 18 class is to offer popular, exciting, safe and fair racing in 18-foot catamarans.

The class' further objective is to keep development under control, maintaining a good balance between cost and performance. Being open to any manufacturer promotes competition and keeps costs to sailors to a minimum.

The boat weight allows robust construction, increasing longevity. It also facilitates adding interchangeable parts to the platform, for example for use as a foiling catamaran outside F18 racing.

The use of crew extra weights allows for fairer racing with more women and youth involved as helms and crews.

Formula 18 platforms, hulls, hull appendages, rigs and sails are measurement controlled.

Rules regulating the use of equipment during a race are contained in Section C of these class rules, in ERS Part I and in the Racing Rules of Sailing.

PLEASE REMEMBER:

THESE RULES ARE CLOSED CLASS RULES WHERE IF IT DOES NOT SPECIFICALLY SAY THAT YOU MAY – THEN YOU SHALL NOT.

COMPONENTS, AND THEIR USE, ARE DEFINED BY THEIR DESCRIPTION.

PART I – ADMINISTRATION

Section A – General

A.1 LANGUAGE

- A.1.1 The official language of the IF18CA is English and in case of dispute over translation the English text shall prevail.
- A.1.2 The word “shall” is mandatory and the word “may” is permissive.
- A.1.3 Except where used in headings, when a term is printed in “**bold**” the definition in the ERS applies and when a term is printed in “*italics*” the definition in the RRS applies.

A.2 ABBREVIATIONS

- A.2.1 WS World Sailing
- IF18CA International Formula 18 Class Association
- NCA National Formula 18 Class Association
- ERS Equipment Rules of Sailing
- RRS Racing Rules of Sailing

A.3 AUTHORITIES

- A.3.1 The **class rule authority** of the class is WS which shall co-operate with the IF18CA in all matters concerning these **class rules**.
- A.3.2 The **certification authority** of the class is the IF18CA.
- A.3.3 The **certification authority** may delegate its authority to certify to an **official measurer** who is recognized by the **certification authority**.
- A.3.4 Notwithstanding anything contained herein, the **certification authority** has the authority to withdraw a **certificate** and shall also do so on the request of WS.

A.4 ADMINISTRATION OF THE CLASS

- A.4.1 WS has delegated its administrative functions of the class to the IF18CA. The IF18CA may delegate part or all of its functions, as stated in these **class rules**, to an NCA.

A.5 CLASS RULES CHANGES

- A.5.1 At events organised under these **class rules** RRS 87 and WS Regulation 10.5(f) apply.

A.6 CLASS RULES AMENDMENTS

- A.6.1 Amendments to these **class rules** are subject to the approval of WS in accordance with WS Regulations and the IF18CA in accordance with its constitution.

A.7 CLASS RULES INTERPRETATION

- A.7.1 Interpretation of these **class rules** shall be made by WS, in consultation with the IF18CA, and in accordance with WS Regulations.

A.7.2 Interpretation of these **class rules** at an event shall be carried out in accordance with RRS (appendix N). The organising authority shall, as soon as practical, inform WS and the IF18CA of an interpretation.

A.8 WS PLAQUE FEE

A.8.1 The IF18CA shall pay the WS plaque fee to WS. WS shall, after having received the plaque fee for the **hulls**, send the WS plaques to the IF18CA.

A.9 SAIL NUMBERS

A.9.1 A **boat** shall sail under the national letters and a personal sail number issued by the IF18CA.

A.10 CERTIFICATION

A.10.1 A **certificate** for a **sail** shall record the following information:

- (a) Class
- (b) **Certification authority**
- (c) **Certificate** number issued by the **certification authority**
- (d) Date of issue of initial **certificate**
- (e) Date of issue of **certificate**
- (f) **Sail** serial number
- (g) Confirmation of presence of sailmaker's declaration (see G.2.3(b))
- (h) **Sail** area

A.10.2 A **certificate** for a **boat** shall record, in addition to A.10.1, the following information:

- (a) **Hull** serial number(s) and WS plaque number
- (b) Confirmation of presence of builder's declaration (see D.2.4(b))
- (c) Mast Area and maximum **sail** area for the **mainsail**
- (d) **Corrector weight**, if required.

A.11 INITIAL CERTIFICATION

A.11.1 For a **certificate** to be issued to a **boat** or a **sail** not previously **certified**:

- (a) **Certification control** shall be carried out by the **official measurer** who shall complete the appropriate documentation.
- (b) The documentation and **certification fee**, if required, shall be sent to the **certification authority**.
- (c) Upon receipt of a satisfactorily completed documentation and **certification fee**, if required, the **certification authority** may issue a **certificate**.

A.12 VALIDITY OF CERTIFICATE

A.12.1 A **certificate** becomes invalid upon:

- (a) the change to any items recorded on the **certificate** as required under A.10.1 and A.10.2 (a) through (c)

- (b) withdrawal by **certification authority**
- (c) the issue of a new **certificate**.

A.13 RE-CERTIFICATION

- A.13.1 The **certification authority** may issue a **certificate** to a previously **certified boat** or **sail**:
- (a) when it is invalidated under A.12.1(a), after receipt of the old **certificate**, and **certification** fee if required.
 - (b) when it is invalidated under A.12.1(b), at its discretion.
 - (c) in other cases, by application of the procedure in A.11.

A.14 RETENTION OF CERTIFICATION DOCUMENTATION

- A.14.1 The **certification authority** shall retain the original documentation upon which the current **certificate** is based.

Section B – Boat Eligibility

For a **boat** to be eligible for *racing*, it shall comply with the rules in this section.

B.1 CLASS RULES AND CERTIFICATION

- B.1.1 The **boat** shall:
- (a) be in compliance with these **class rules**.
 - (b) have a complete set of valid **boat** and **sail certificates**.
 - (c) have valid **certification marks** as required.

B.2 CERTIFICATION MARKS

- B.2.1 A valid association sticker as required by the IF18CA shall be affixed to each measured item in the required position (see Appendix C), as a part of **certification marks**.

PART II – REQUIREMENTS AND LIMITATIONS

The intention of these **class rules** is to ensure that the boats are as alike as possible in all aspects affecting performance as F18 is a measurement-controlled class. The **crew** and the **boat** shall comply with the **class rules** in part II when *racing*. In case of conflict, section C shall prevail.

The **class rules** in part II are **closed class rules** where anything not specifically permitted by the **class rules** is prohibited. **Certification control** and **equipment inspection** shall be carried out in accordance with the ERS except where varied in this part.

Section C – Conditions for Racing

C.1 GENERAL

C.1.1 RULES

- (a) The ERS shall apply.
- (b) RRS 49.1 and RRS Appendix G.1.3(c)(3) shall not apply.
- (c) RRS Appendix G.1.3(a) is changed as follows (see **class rule** G.3.1): The class insignias shall only be placed on the starboard side.

C.2 ADVERTISING

C.2.1 LIMITATIONS

- (a) Advertising shall only be displayed in accordance with the WS Advertising code.

C.3 CREW

C.3.1 MEMBERSHIP

- (a) **Crews** are not permitted to enter a Formula 18 event unless they are current members of their NCA.
- (b) In countries where there is no NCA, **crews** shall be member of the IF18CA.

C.3.2 LIMITATIONS

- (a) The **crew** shall consist of 2 persons.
- (b) The **crew** shall be dressed in underwear or swimming costume without shoes when weighed.

C.3.3 WEIGHTS

- (a) The minimum combined **crew** weight is 115 kg.
- (b) **Crews** weighing less than 150 kg combined shall carry extra weight equal to half the difference between their actual weight and 150 kg. Any weight of the **boat** in excess of 180 kg will count towards **crew** extra weights.
- (c) **Crew** extra weights shall be of metal and securely fastened on the port side, either to the outside of the front beam or to the strut, and shall be removable for checking.

- (d) **Crews** may be weighed at registration for a regatta and may be reweighed at any time by the race committee.

C.4 PERSONAL EQUIPMENT

C.4.1 MANDATORY

- (a) The **crew** shall wear a **personal floatation device** to the minimum standard EN393, ISO 12402-5 (CE 50 Newtons), USCG Type III, or AUS PFD 2.

C.4.2 OPTIONAL

- (a) **Trapeze** harness for each member of **crew**
- (b) All other **personal equipment**.

C.5 PORTABLE EQUIPMENT

C.5.1 MANDATORY

- (a) Righting line, minimum 3.5 metres long and minimum 8 mm diameter
- (b) Towing line, minimum 15 metres long and minimum 6 mm diameter
- (c) Items required in accordance with the notice of race.

C.5.2 OPTIONAL

- (a) Steering compass(es)
- (b) Timing device(s)
- (c) Knife(s)
- (d) Mechanical wind indicator(s)
- (e) Items permitted in accordance with the notice of race.

C.6 BOAT

C.6.1 MODIFICATIONS, MAINTENANCE AND REPAIR

- (a) **Modification, maintenance and repair** of the **boat** is permitted, without re-**certification**, provided the **boat** continues to comply with these **class rules**.

C.6.2 WEIGHT

- (a) The weight of the **boat** shall not be less than 180 kg. The weight shall be taken including the **sails** and excluding all **portable equipment** as listed in C.5.

C.6.3 CORRECTOR WEIGHTS

- (a) A maximum of 7 kg of **corrector weight** is allowed to comply with the **boat** minimum weight.
- (b) **Corrector weights shall** be securely fastened to the outside on the starboard side of the front beam or to the strut and shall be removable for checking.
- (c) **Corrector weights** shall be of metal.
- (d) **Corrector weights** may be changed with approval of the **equipment inspector**.

C.7 HULLS

C.7.1 FITTINGS

- (a) Hatch covers, and drain bungs if fitted, shall be kept in place while *racing*.

- (b) Each **hull** shall have at least one inspection hatch. All other fittings are optional.

C.7.2 MODIFICATIONS, MAINTENANCE AND REPAIR.

- (a) Holes not bigger than necessary for the installation fittings and passage of lines may be made in the **hulls**.
- (b) Sealing strips of any suitable material for **centreboard/daggerboard** slots are permitted.

C.8 HULL APPENDAGES

C.8.1 MANDATORY

FITTINGS

- (a) **Rudder** retention devices capable of retaining **rudder** in event of capsize.

C.8.2 LIMITATIONS

- (a) Only two **daggerboards** or **centreboards** and two **rudders** may be used during an event, except when a **hull appendage** has been lost or damaged beyond repair. Such replacement may only be made with the approval of the race committee.
- (b) The board cases, the **daggerboards** or **centreboards** and the **rudders** shall be positioned in the centre plane of the **hulls**, and the underwater parts of the boards and of the **rudders** shall be symmetrical.
- (c) The **hull appendage depth** of each **centreboard/daggerboard** shall not exceed 1400 mm.
- (d) The two **rudders** shall be hung on the transoms, one on each transom.

C.9 RIG

C.9.1 FITTINGS

- (a) **Sail** and **mast** adjustment fittings may be fitted.

C.9.2 USE

- (a) When stepped the **mast datum point** shall not be more than 120 mm above the top of the front beam.

C.9.3 LIMITATIONS

- (a) Only one set of **spars** shall be used during an event, except when lost or damaged beyond repair.
- (b) Replacement of damaged **spars** may only be made with the approval of the race committee.

C.9.4 BOOM

- (a) The **boom**, if fitted, may have fittings attached.

C.9.5 BOWSPRIT

- (a) The **bowsprit** shall be fixed in a fore and aft position and shall not be adjustable while sailing
- (b) The **bowsprit** may have fittings attached.
- (c) The **bowsprit** shall have an end cap that is smooth, rounded and blunt.

C.9.6 STANDING RIGGING

- (a) It not is permitted to adjust **mast** rake, tension of **standing rigging**, angle or length of **spreaders**, or diamond wire tension while *racing*.
- (b) The **forestay** shall be attached on the centreline of the **boat**.
- (c) **Trapeze** wires may have adjustable height.

C.9.7 RUNNING RIGGING

- (a) **Running rigging** shall be led outside the **mast spar**.
- (b) With the exception of C.9.7 (a), the way of leading **running rigging** is optional.

C.10 SAILS

C.10.1 LIMITATIONS

- (a) The **sail** plan shall consist of one **mainsail**, one **jib** and one **gennaker** which shall be carried aboard. **Sails** shall not be replaced during a regatta, except when a **sail** has been lost or damaged beyond repair, then only with permission of the race committee. The *race committee* shall then remove or cross out any **event limitation mark** attached to the replaced **sail**.

C.10.2 IDENTIFICATION

- (a) The national letters and sail numbers shall comply with the RRS appendix G except where prescribed otherwise in these **class rules**.

C.10.3 MAINSAIL

- (a) The **sail** shall be hoisted with a **halyard**. The arrangement shall permit hoisting and lowering of the **sail** whilst afloat.
- (b) The **luff** bolt rope shall be in the **spar** groove.
- (c) The **mainsail** may be loose footed.

C.10.4 JIB

- (a) The **sail** shall be set on the **forestay**.
- (b) The **tack point** shall not be fixed below the apex of the bridle wire.

C.10.5 GENNAKER

- (a) The **sail** shall be set between the **mast** and the **bowsprit**.

Section D - Hulls

D.1 PARTS

D.1.1 MANDATORY

- (a) **Hull** shells
- (b) Front beam
- (c) Rear beam
- (d) Trampoline

D.1.2 OPTIONAL

- (a) Bulkheads
- (b) Sub-decks
- (c) Fittings

D.2 GENERAL

D.2.1 RULES

- (a) The **hulls** shall comply with the **rules** in force at the time of initial **certification**.

D.2.2 CERTIFICATION

- (a) The **official measurer** shall certify the **hulls** and shall number and affix **certification marks** to the transoms (see Appendix C).

D.2.3 IDENTIFICATION

- (a) Each **hull** shall have a serial number.
- (b) Each **hull** shall have a WS plaque affixed to the transom (see Appendix C).

D.2.4 BUILDERS

- (a) A licence is not required.
- (b) Builders shall supply a builder's declaration, confirming that the **boat** was built to rules in force at the time of manufacture (See Appendix A).

D.3 HULL SHELLS

D.3.1 MATERIALS

- (a) The **hull** shells may be built from epoxy, polyester or vinylester resin, wood, injected plastic, glass fibre, glue, gel coat, paint and/or metal fastenings. A core of PVC or balsa or felt may be used.
- (b) Vinyl or other film may be applied to the **hull** surface (see RRS 53).

D.3.2 CONSTRUCTION

- (a) **Hulls** may be symmetrical or asymmetrical.
- (b) The **hull** shells may be altered locally for fittings and passage of equipment and normal reinforcement.

D.4 BEAMS

D.4.1 MANDATORY

- (a) Front Beam
- (b) Rear beam

D.4.2 CONSTRUCTION

- (a) The beams shall be made of extruded aluminium profiles of constant section.
- (b) The curvature of the beams shall be limited to a maximum of 15 mm.
- (c) The **mast** pivot on the front beam shall be fixed on the centreline of the **boat**.
- (d) The front beam may have a strut and tie of optional material, excluding carbon.
- (e) The rear beam may incorporate a **mainsail** traveller track.

- (f) The front beam may incorporate a **jib** traveller track and/or a self-tacking system, and **sail** adjustment fittings.
- (g) A local reinforcement is permitted inside the front beam for the **mast** step.
- (h) Local reinforcements are permitted inside the front beam and the rear beam for supporting fixing bolts.
- (i) The **mast** step shall be in a fixed position.
- (j) The beams may accommodate adjustment fittings.
- (k) Any holes for fittings may only be as large as necessary to house the fittings.

D.5 TRAMPOLINE

D.5.1 DEFINITIONS

A Trampoline is an item of equipment with the primary function of carrying the **crew**, which covers the area between the front beam, the rear beam and the **hulls**.

D.5.2 MATERIALS

The type of material used is optional, provided that the body of the sheet of material is capable of being folded flat in any direction without damaging other than by creasing.

D.5.3 CONSTRUCTION

- (a) The Trampoline shall consist of one or more sheets of material.
- (b) Vertical separation of sheets is permitted. The maximum vertical distance between the outer surface of separated sheets shall be 200 mm.
- (c) The Trampoline may partly cover the front beam, the rear beam and/or the **hulls**.
- (d) The following are permitted: stitching, welding, glues, zips, tapes, hook-and-loop fasteners, slides, bolt ropes, storage bags, pouches, holes, fittings and items as prescribed or permitted by other applicable *rules*.

D.6 PLATFORM

D.6.1 CONSTRUCTION

- (a) The **hulls** shall be joined rigidly by a front beam and a rear beam.
- (b) Non-slip surfaces are allowed.

D.6.2 DIMENSIONS

- (a) The maximum **hull length** shall be 5.52 m.
- (b) The maximum **boat beam** shall be 2.60 m.
- (c) The **boat** centre plane is the vertical longitudinal plane of the **boat** that passes through the centre point of the front and rear beams.

D.6.3 FITTINGS

- (a) MANDATORY
 - (1) **Shroud** fittings attachments
 - (2) **Forestay** bridle fittings attachments
 - (3) **Bowsprit** fittings attachments.

- (b) OPTIONAL
 - (1) Fittings for the attachment of the trampoline
 - (2) Fittings for adjustment of **sails and rig**
 - (3) Foot loops, toes straps, **trapeze gear**, **crew** restraining line
 - (4) Fittings for **rudders**
 - (5) **Centreboard/daggerboard** retention/placement fittings
 - (6) Inspection hatches
 - (7) Steering compass(es) and compass bracket(s).

Section E – Hull Appendages

E.1 PARTS

E.1.1 MANDATORY

- (a) **Rudders**
- (b) Tillers
- (c) Tiller connecting bar
- (d) **Rudder** pins or pintles
- (e) **Rudder** gudgeons.

E.1.2 OPTIONAL

- (a) **Centreboards**
- (b) **Daggerboards**
- (c) Tiller extension.

E.2 GENERAL

E.2.1 RULES

- (a) **Hull appendages** shall comply with the **class rules** in force at the time of **certification**.

E.2.2 CERTIFICATION

- (a) The **official measurer** shall certify the **hull appendages** and shall number and affix the **certification marks** near the upper end of the **hull appendages**.

E.2.3 MANUFACTURERS

- (a) Licence is not required to manufacture **hull appendages** (See D.2.4(a)).

E.3 CENTREBOARD/DAGGERBOARD

E.3.1 RULES

- (a) There shall be a maximum of one **centreboard/daggerboard** per **hull**.

E.3.2 MATERIALS

- (a) The **centreboards/daggerboards** may be built from epoxy, polyester or vinylester resin, carbon, wood, glass fibre, foam plastic, glue, gel coat, paint

and/or metal fastenings.

E.3.3 CONSTRUCTION

- (a) The **centreboard/daggerboard** shall have no moving parts.
- (b) The cross section of each **centreboard/daggerboard** shall be symmetrical about their centreplane.
- (c) Curved **daggerboards** are not allowed. The manufacturing tolerance is 10mm of curvature over the total length of the board.
- (d) The centre of mass of the **daggerboards** shall be above 50% of the length of the board measured from the top of the **daggerboard**. **Ballast** or mass of whatever nature is not permitted.
- (e) **Centreboard/daggerboards** may be angled outwards at the keel from the **boat** centre plane. **Centreboard/daggerboards** shall not be angled inwards at the keel from the **boat** centreplane, except where this is caused by the curvature of the front beam, as per rule D.4.2(b).

E.3.4 WEIGHTS

- (a) The maximum weight of each **centreboard/daggerboard** is 5.5 kg.

E.3.5 FITTINGS

- (a) Pivot bushings, height restraining or adjusting systems may be fitted.

E.4 RUDDER BLADE, RUDDER STOCK AND TILLER

E.4.1 MATERIALS

- (a) The **rudder** blades may be built from epoxy, polyester or vinylester resin, carbon, wood, glass fibre, foam plastic, glue, gel coat, paint and/or metal fastenings.
- (b) Materials for the **rudder** stocks are optional, except carbon.
- (c) Materials for the tiller extension are optional.
- (d) The tiller cross bar shall be made of aluminium profile of constant section.
- (e) The tiller cross bar may have reinforcement in the central fittings.
- (f) The tiller cross bar may have reinforcement to support connection to tiller arms.

E.4.2 CONSTRUCTION

- (a) The centre of mass of the **rudders** shall be above 50% of the length of the **rudder** measured from the top of the **rudder**. **Ballast** or mass use of whatever nature is not permitted.
- (b) The cross section of each **rudder** blade shall be symmetrical about their centre plane.

E.4.3 FITTINGS

- (a) MANDATORY
 - (1) 2 **rudder** fittings.
- (b) OPTIONAL
 - (1) Pivoting and/or lowering systems.

E.4.4 WEIGHTS

- (a) The minimum weight of each **rudder** assembly comprising blade, stock with

fittings and tiller is 3 kg.

Section F – Rig

F.1 PARTS

F.1.1 MANDATORY

- (a) **Mast**
- (b) **Standing rigging**
- (c) **Running rigging**
- (d) **Bowsprit** including snuffer mouth
- (e) **Gennaker** snuffer bag

F.1.2 OPTIONAL

- (a) **Boom**

F.2 GENERAL

F.2.1 RULES

- (a) The **spars** and their fittings shall comply with the **class rules** in force at the time of **certification** of the **spar**.
- (b) The **standing** and **running rigging** shall comply with the **class rules**.

F.2.2 CERTIFICATION

- (a) The **official measurer** shall **certify** the **mast** and shall number and affix the **certification mark** to the **mast** near the bottom edge of the **mast** extrusion on starboard side.

F.2.3 MANUFACTURER

- (a) Licence is not required to manufacture **spars**.

F.3 MAST

F.3.1 DEFINITIONS

(a) MAST DATUM POINT

The **mast datum point** is located at the front edge of the mast **spar**, on the longitudinal axis, on the lower end of the profile. See appendix C.

(b) MAST AREA

The Mast Area is the area calculated by multiplying the **mast** extrusion length by the half circumference of the **mast spar**.

F.3.2 CONSTRUCTION

- (a) The **mast** extrusion shall be made of aluminium and shall be of constant section throughout its length.
- (b) The **mast** shall have one fixed **sail** groove, which shall be an integral form of the **mast spar** and shall be of the same material.
- (c) The **mast** shall have masthead fittings, which shall include the mainsail sheave and locking device.

- (d) The **mast** shall have a heel fitting attached.
- (e) The **mast** pivot shall be fixed on the centreline of the front beam.
- (f) **Forestay**, diamond wires and shroud tension/rake adjustment devices or fittings are permitted.

F.3.3 DIMENSIONS

- (a) The **mast** shall be watertight from 450 mm above the **mast datum point** upwards.
- (b) The distance between the top of the front beam and the **mast datum point** shall not exceed 120mm.

	Maximum
Mast spar circumference	385 mm
Distance between upper point and front beam	9100 mm
Shroud height	6750 mm
Gennaker hoist height	8150 mm
Top of the front beam to mast datum point	120 mm

F.3.4 FITTINGS

(a) MATERIALS

- (1) Carbon fibre is only allowed in cleats, turning blocks and spreaders construction.

(b) MANDATORY

- (1) Hounds fittings.

(c) OPTIONAL

- (1) Pair of **spreaders** and fittings.
- (2) Diamond stay attachment and adjustment fittings
- (3) **Gennaker halyard** guide
- (4) **Gennaker halyard** block and attachments
- (5) Gooseneck fittings
- (6) **Mast** rotation control fittings
- (7) **Mast** may have reinforcement at fittings points
- (8) Cunningham downhaul fittings.

F.4 BOOM

F.4.1 MATERIALS

- (a) The **boom**, if fitted, shall be made of extruded aluminium of constant section.

F.4.2 FITTINGS

- (a) Fittings are optional.

F.5 BOWSPRIT

F.5.1 RULES

- (a) The **bowsprit** shall be on the longitudinal centreline of the **boat**.

(b) The **bowsprit** shall be attached to the front beam.

F.5.2 MATERIALS

(a) The **bowsprit** shall be made of aluminium of constant section.

F.5.3 CONSTRUCTION

(a) The **bowsprit** may be fitted with a **gennaker** retrieval system. This system shall not be of carbon fibre on boats certified after 1 January 2007.

F.5.4 FITTINGS

(a) MANDATORY

(1) Attachment points to **hulls**.

(b) OPTIONAL

(1) Adjustment fittings.

(2) Wind indicator(s).

F.5.5 DIMENSIONS

(a) The length of the **bowsprit** shall not exceed the distance from the centre of the front beam to a vertical line touching the most forward part of the **hull** plus 800 mm, with the **bowsprit** measured when horizontal.

F.6 STANDING RIGGING

F.6.1 MATERIALS

(a) The **standing rigging** shall be of stranded stainless steel with the exception of **bowsprit** bridles and **trapeze** which may be of rope.

(b) Fittings, such as cleats, blocks may be made from/or include carbon fibre in their construction.

F.6.2 CONSTRUCTION

(a) MANDATORY

(1) A **forestay** and **forestay** bridles of 1×19 or 1×7 stranded stainless steel wire of minimum diameter 4 mm.

(2) **Shrouds** of 1×19 or 1×7 stranded stainless steel wire of minimum diameter 4 mm.

(3) **Trapeze** wires of stranded stainless steel wire or rope of minimum diameter 2.5 mm.

(b) OPTIONAL

(1) A pair of diamond wires of 1×19 or 1×7 stranded stainless steel wire of minimum diameter 4 mm.

(2) The **bowsprit** bridles may be of rope of minimum diameter 2.5 mm.

F.7 RUNNING RIGGING

F.7.1 MATERIALS

(a) Materials are optional.

F.7.2 CONSTRUCTION

- (a) MANDATORY
 - (1) **Mainsail halyard**
 - (2) **Mainsail sheet**
 - (3) **Jib halyard**
 - (4) **Jib sheet.**
 - (5) **Gennaker halyard**
 - (6) **Gennaker sheets**
 - (7) **Gennaker** retraction lines.
- (b) OPTIONAL
 - (1) **Rig** adjustments
 - (2) **Sails** adjustments

Section G – Sails

G.1 PARTS

G.1.1 MANDATORY

- (a) **Mainsail**
- (b) **Jib**
- (c) **Gennaker**

G.2 GENERAL

G.2.1 RULES

- (a) **Sails** shall comply with the **rules** in force at the time of **certification**.

G.2.2 CERTIFICATION

- (a) The **official measurer** shall certify each **sail** and shall affix the **certification mark** near the tack point of the **sail** on starboard side.
- (b) For measurement the battens shall be placed in the **batten pockets** without tension.
- (c) When measuring the bolt rope of the **mainsail** shall be excluded.

G.2.3 SAILMAKER

- (a) Licence is not required to manufacture **sails**.
- (b) A sailmaker's declaration is required with each **sail** (See Appendix B).
- (c) Each **sail** shall have a plaque or label near the **tack point** that shall be completed by the sailmaker, indelibly marked, with name of manufacturer, materials used, date of manufacture and serial number.

G.3 MAINSAIL

G.3.1 IDENTIFICATION

- (a) The class insignias shall conform with the dimensions and requirements as

detailed and be placed in accordance with the diagram contained in Appendix C.

- (b) A licence is required to produce class insignias.

G.3.2 MATERIALS

- (a) The **ply** fibres shall consist only of polyester materials as detailed in the cloth list (Appendix D).
- (b) **Stiffening** shall not incorporate carbon fibre and may consist of:
- (1) Corner boards
 - (2) Battens.
- (c) **Sail reinforcements**
- (1) **Primary reinforcement** shall be any woven polyester, or any cloth as detailed in the cloth list
 - (2) **Secondary reinforcement** shall be any cloth as detailed in the cloth list.
- (d) The **window** shall comply with the cloth list.

G.3.3 CONSTRUCTION

- (a) The construction shall be: **soft sail, single-ply sail**.
- (b) The **body of the sail** shall consist of the same woven **ply** or laminated **ply** throughout with the exception of the **window** which may be different.
- (c) The number of **batten pockets** is optional.
- (d) The following are permitted: stitching, glues, tapes, bolt ropes, corner eyes, headboard with fixings, Cunningham eye or pulley, zips, hook-and-loop fasteners, reefing points, battens, **batten pocket patches**, **batten pocket** elastic, **batten pocket** end caps, **mast** and **boom** slides, **leech** line with cleat, tell tales, **sail** shape indicator stripes and items as permitted or prescribed by other applicable *rules*.
- (e) A **window** shall be placed in the **sail**. The **window area** as determined in G.3.4 shall be free of advertising (see WS Reg. 20).

G.3.4 DIMENSIONS

	Maximum
Sail area and Mast Area, combined	17.00 m ²
Top width	1000 mm
Upper width at upper leech point 1500 mm from head point (Appendix C)	1290 mm
Angle between the luff and the head (Appendix C)	90°
Window (Appendix C): shortest distance between	
– head point and window area edge	7630 mm
– clew point and window area edge	480 mm
– tack point and window area edge	440 mm
Tabling width	115 mm

G.4 JIB

G.4.1 MATERIALS

- (a) The **ply** fibres shall consist only of polyester materials as detailed in the cloth list (Appendix D).
- (b) **Stiffening** shall not incorporate carbon and may consist of:
 - (1) Corner boards
 - (2) Battens.
- (c) **Sail reinforcements**
 - (1) **Primary reinforcement** shall be any woven polyester, or any cloth as detailed in the cloth list.
 - (2) **Secondary reinforcement** shall be any cloth as detailed in the cloth list.
- (d) The **window** shall comply with the cloth list.

G.4.2 CONSTRUCTION

- (a) The construction shall be: **soft sail, single-ply sail**.
- (b) The **body of the sail** shall consist of the same **woven ply** or **laminated ply** throughout with the exception of the **window** which may be different.
- (c) The **jib** may have either a maximum of four battens, no external part of which exceeding 250mm from the **leech**, OR a maximum of three full length battens, which shall have no moving parts and be made of glass fibre.
- (d) The **leech** shall not be convex.
- (e) The following are permitted: stitching, glues, tapes, corner eyes, headboard with fixings, Cunningham eye or pulley, zips, Velcro and sleeve luffs, battens, **batten pocket patches**, **batten pocket** elastic, **batten pocket** end caps, leech line with cleat, tell tales and items as permitted or prescribed by other applicable *rules*.
- (f) A **window** shall be placed in the lower third of the **sail**. The **window area** as determined in G.4.3 shall be free of advertising (see WS Reg. 20).

G.4.3 DIMENSIONS

	Minimum	Maximum
Sail area		4.30 m ²
Top width		50 mm
Batten width (full length battens)		40 mm
Batten pocket outside width		80 mm
Window area	0.30 m ²	
Tabling width		115 mm

G.5 GENNAKER

G.5.1 MATERIALS

- (a) The **ply** fibres shall consist only of nylon or polyester materials as detailed in the cloth list (Appendix D).
- (b) **Sail reinforcements**
 - Primary** and **secondary reinforcement** is permitted at the **sail corners** and the recovery points.

- (1) **Primary reinforcement** shall be any woven polyester, or any cloth as detailed in the cloth list.
- (2) **Secondary reinforcement** shall be any cloth as detailed in the cloth list.

G.5.2 CONSTRUCTION

- (a) The construction shall be: **soft sail, single ply sail**.
- (b) The **body of the sail** shall consist of the same **woven ply** throughout.
- (c) **Laminated ply** of any sort is not allowed anywhere in the **gennaker**. This includes **leech, luff** and **foot** tapes, corner patches and retrieval points. Reinforcing tapes to secure eyelets or rings are allowed at **gennaker** corners and retrieval points. Tapes may be polyester or spectra.
- (d) The following are permitted: stitching, glues, tapes, corner eyes, recovery line eyes, tell tales, **leech** and **luff** lines and items as permitted or prescribed by other applicable *rules*.

G.5.3 DIMENSIONS

	Maximum
Sail area	21.00 m ²



International Formula 18 Class Association

Builder's declaration of rule compliance

In accordance with the International Formula 18 Class Association (IF18CA) Class Rules, I declare that the platform which has been issued the serial number has been constructed in full compliance with the IF18CA Class Rules on the date of

I confirm that compliance with the rules has been established, and technical data sheets on materials shall be made available to IF18CA Chief Measurer at their request.

Builder Declaration	
Full Name:	
Representing:	
Signature:	
Date:	



International Formula 18 Class Association

Sailmaker's declaration of rule compliance

In accordance with the International Formula 18 Class Association (IF18CA) Class Rules, I declare that the following sails have been constructed in full compliance with the IF18CA Class Rules on the date of

Sail	Serial No
Mainsail	
Jib	
Gennaker	

(strike through all that do not apply)

I confirm that compliance with the Class Rules has been established, and technical data sheets on materials shall be made available to the IF18CA Chief Measurer at their request.

Sailmaker Declaration	
Full Name:	
Representing:	
Signature:	
Date:	

APPENDIX C. CLASS DRAWINGS

B.2 CERTIFICATION MARKS / G.3.1 MAINSAIL – IDENTIFICATION

D.2 HULLS – CERTIFICATION / IDENTIFICATION

D.4 BEAMS

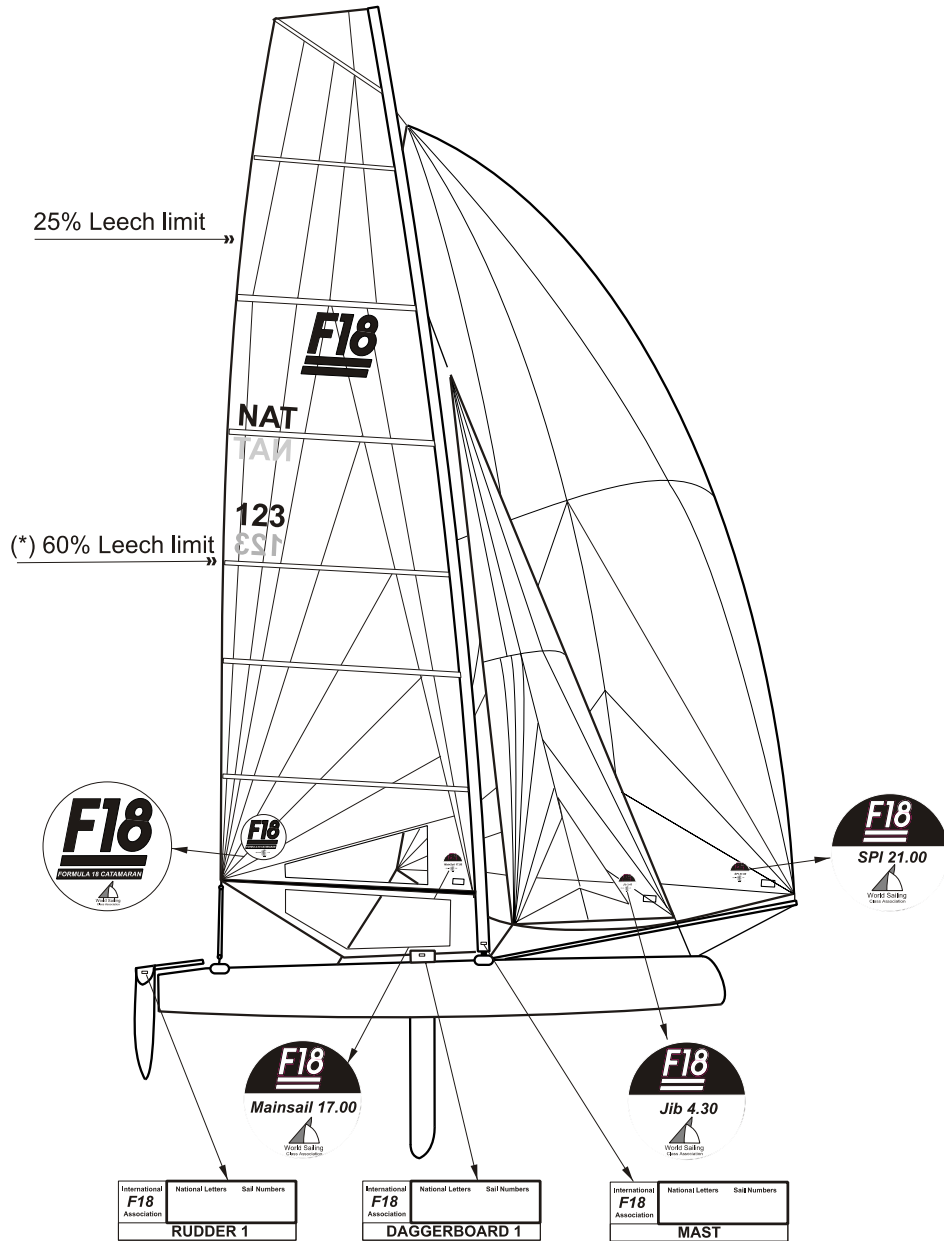
D.6 ASSEMBLED HULLS

F.3 MAST

F.5 BOWSPRIT

G.3 MAINSAIL

B.2. Certification Marks
G.3.1. Mainsail - Identification

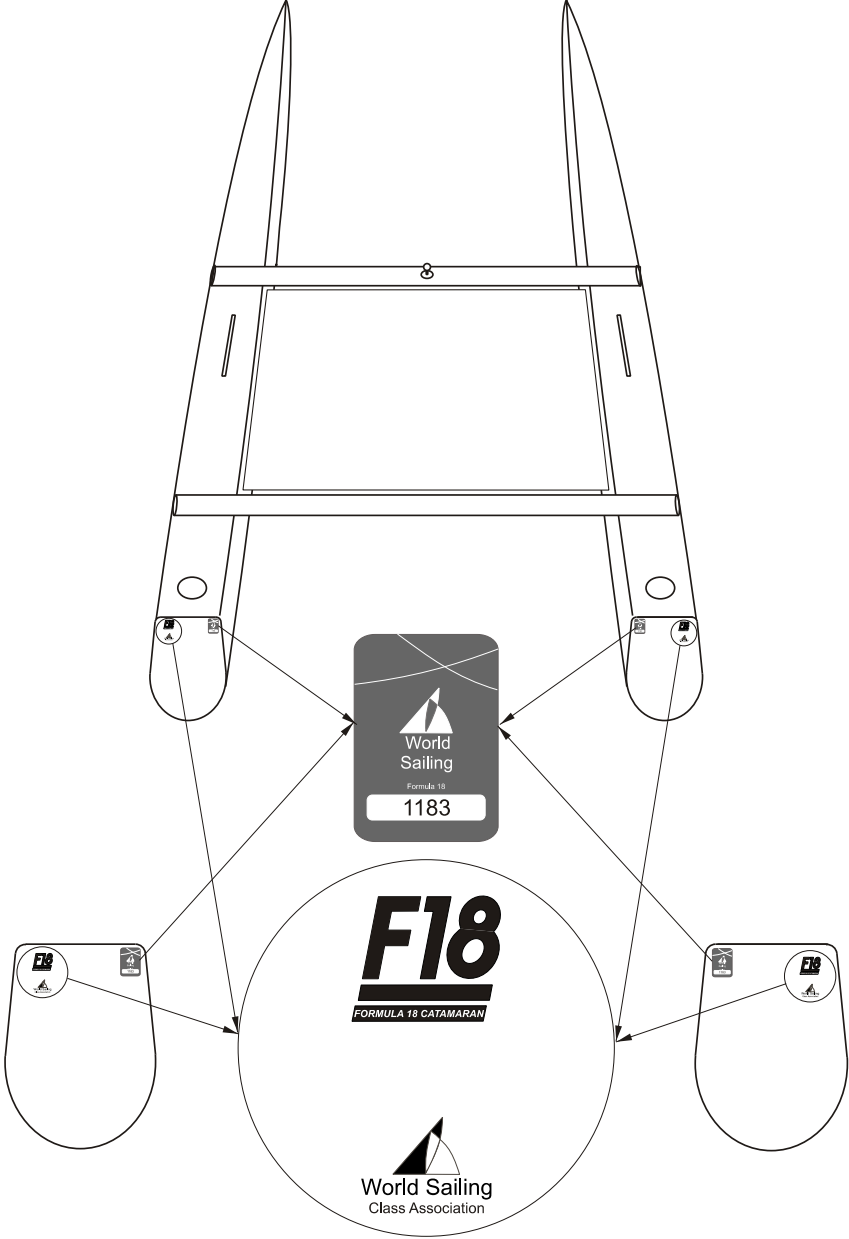


* "as per RRS Appendix G1.3(b)(1)"

OB/PCB march 2021

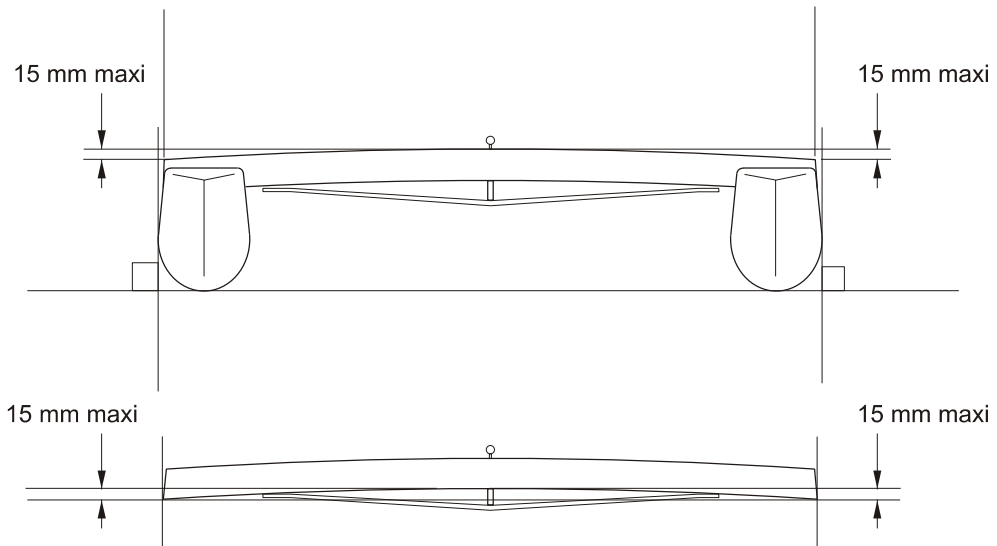
B.2 F18 Marking version 2021.03.10/PCB

D.2 Hulls-Certification / Identification



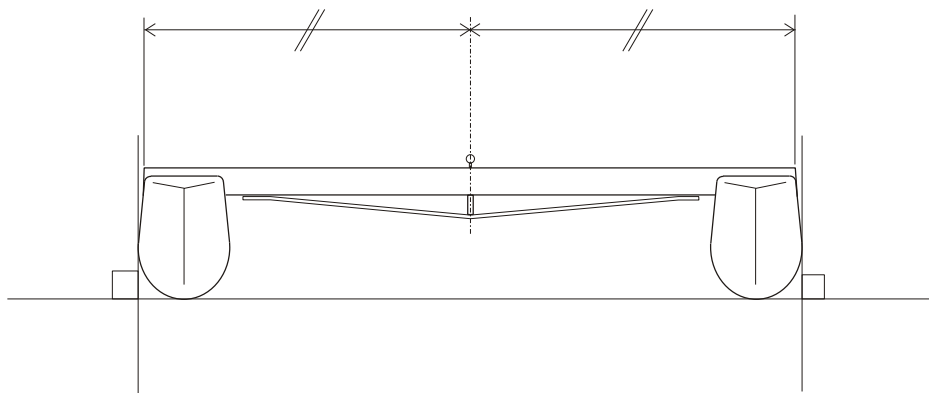
Pierre-Charles BARRAUD 2021/03/19

D.4 BEAMS
D.4.2 CONSTRUCTION
D.4.2 (b) The curvature of the beams.



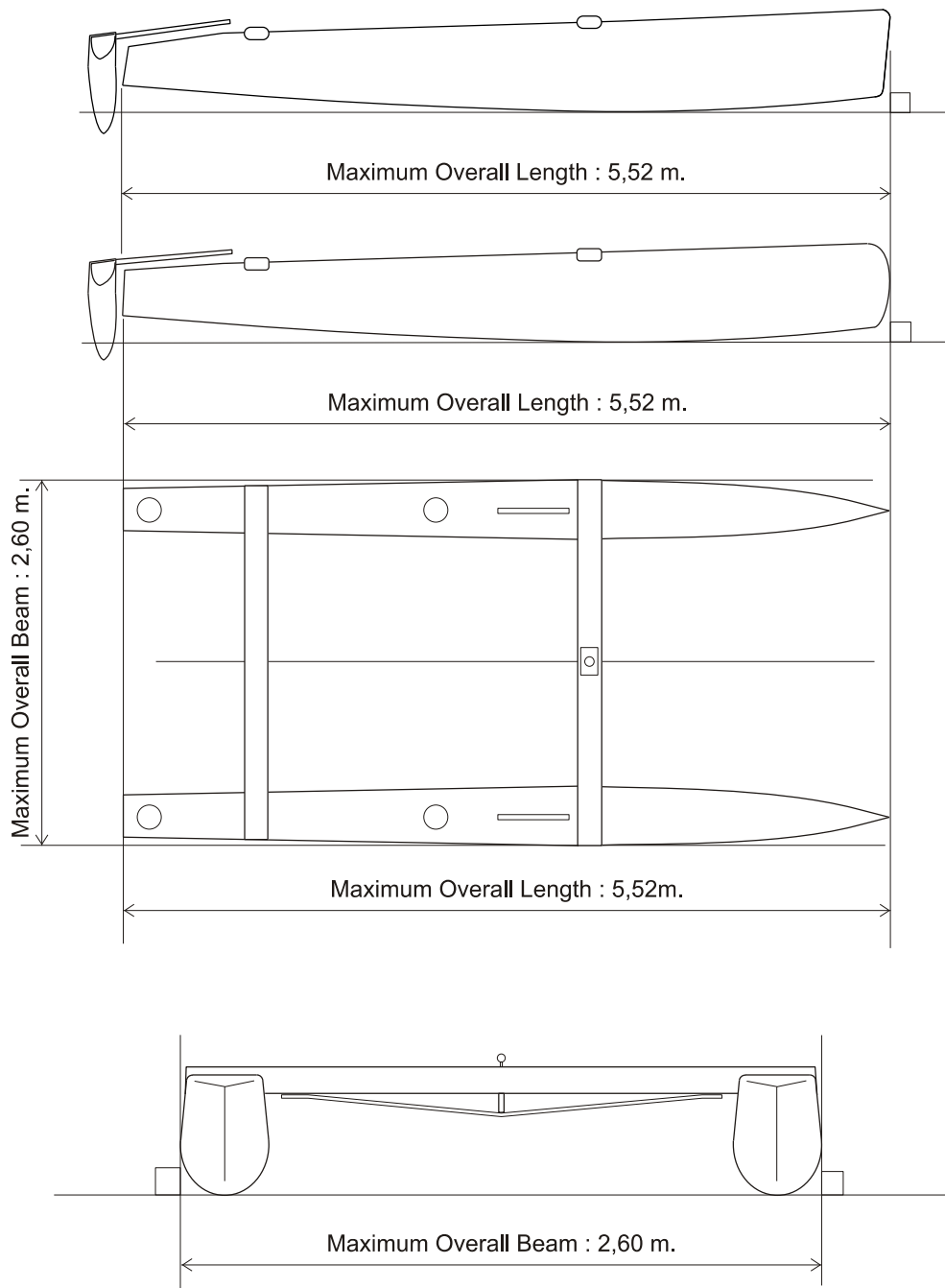
I.F18.A/PCB/10.01

D.4 BEAMS
D.4.2 CONSTRUCTION
D.4.2 (c) The mast pivot on the front beam.



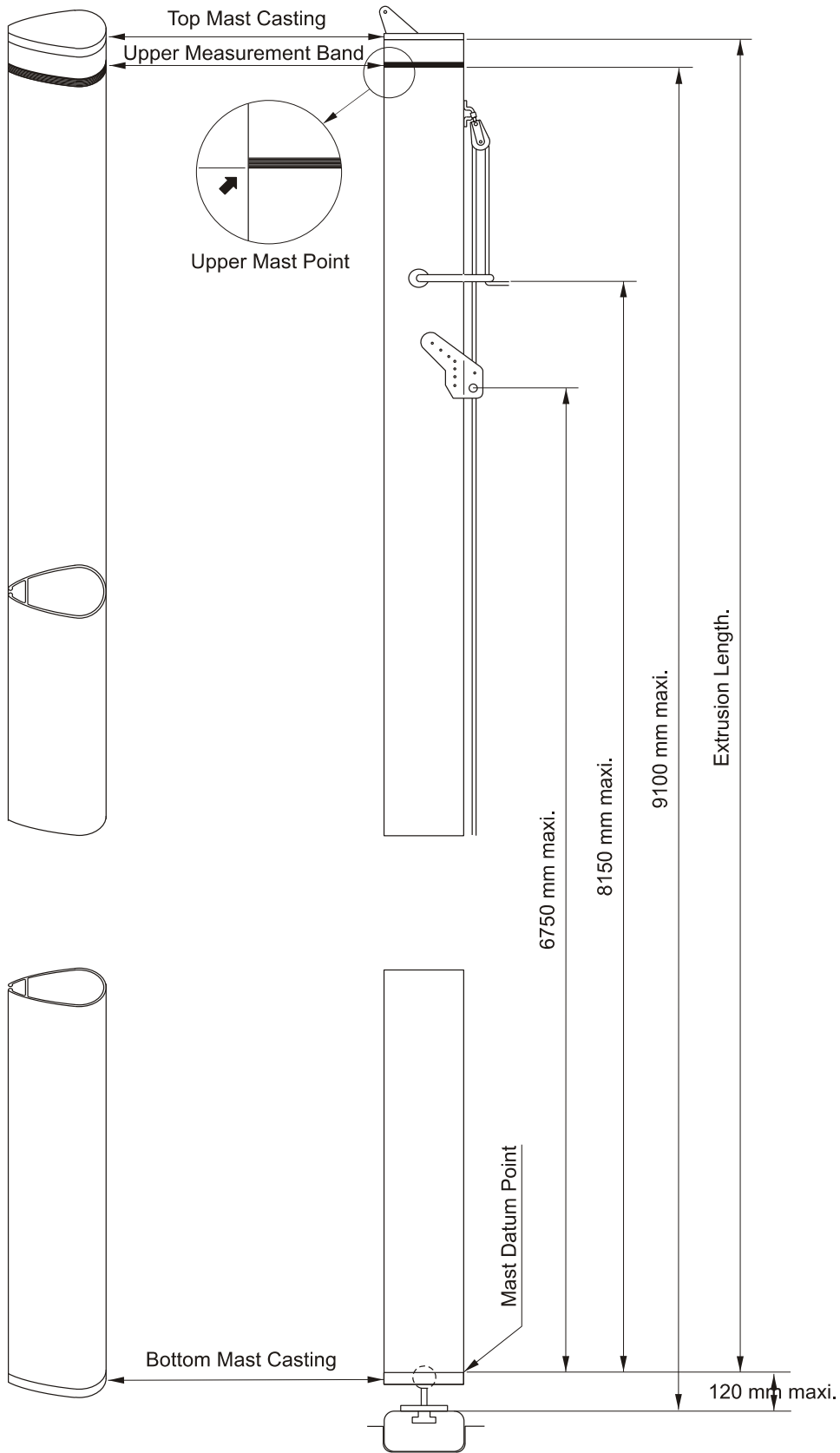
I.F18.A/PCB/10.01

D.6 ASSEMBLED HULLS
D.6.2 DIMENSIONS
D.6.2 (a) maximum hull length.
D.6.2 (b) maximum boat beam.



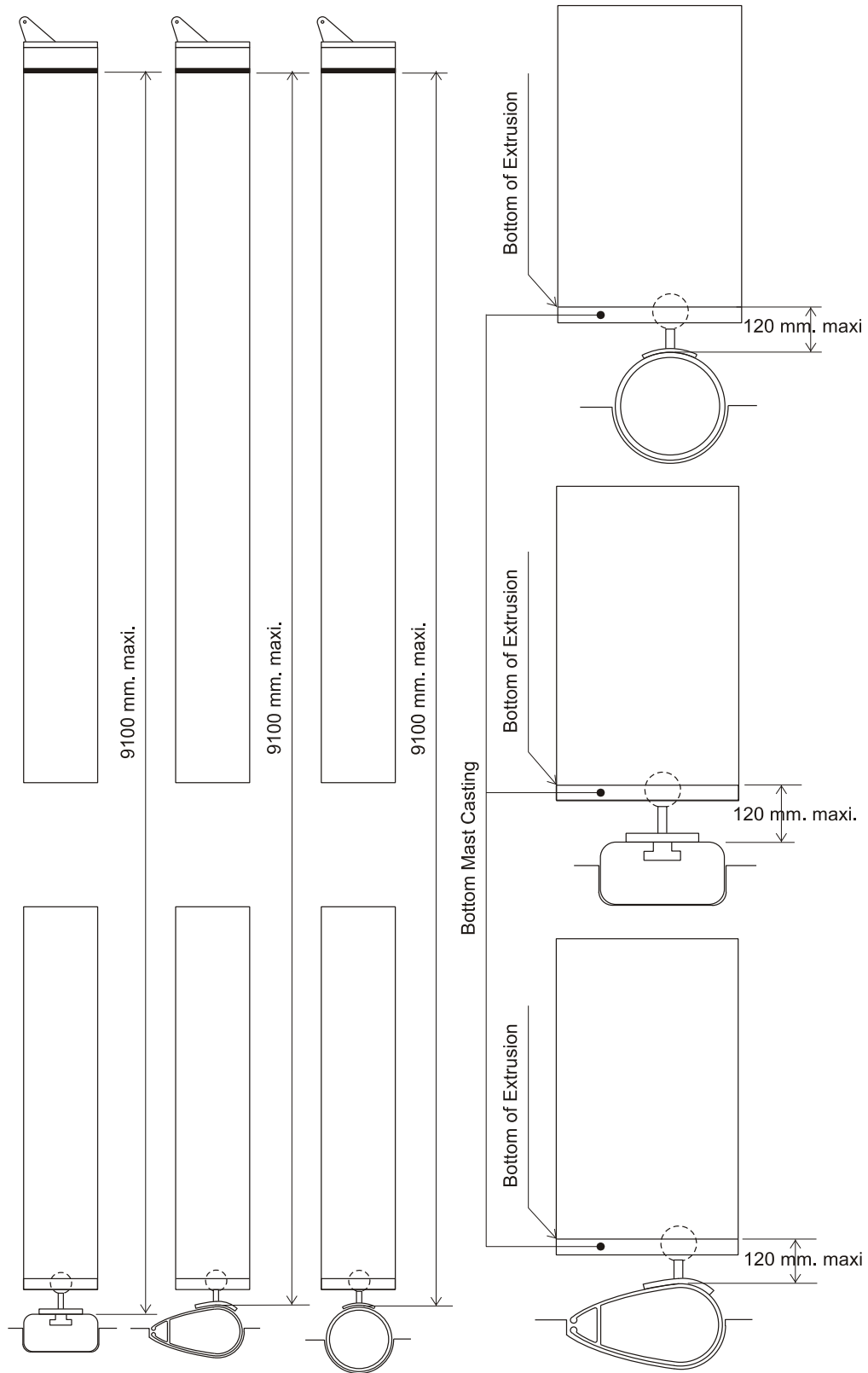
I.F18.A/PCB/06.01

**F.2 GENERAL. F.2.5 (a) Mast Datum Point
F.3 MAST. F.3.2 DIMENSIONS.**



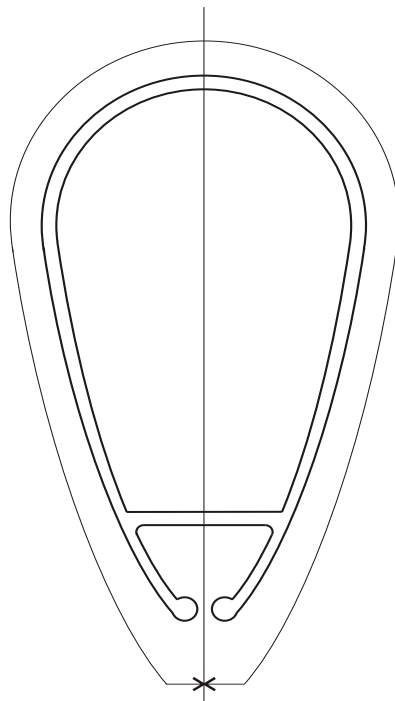
I.F18.A./PCB/10.01

F.3 MAST
F.3.2 DIMENSIONS



I.F18.A./PCB/05.01

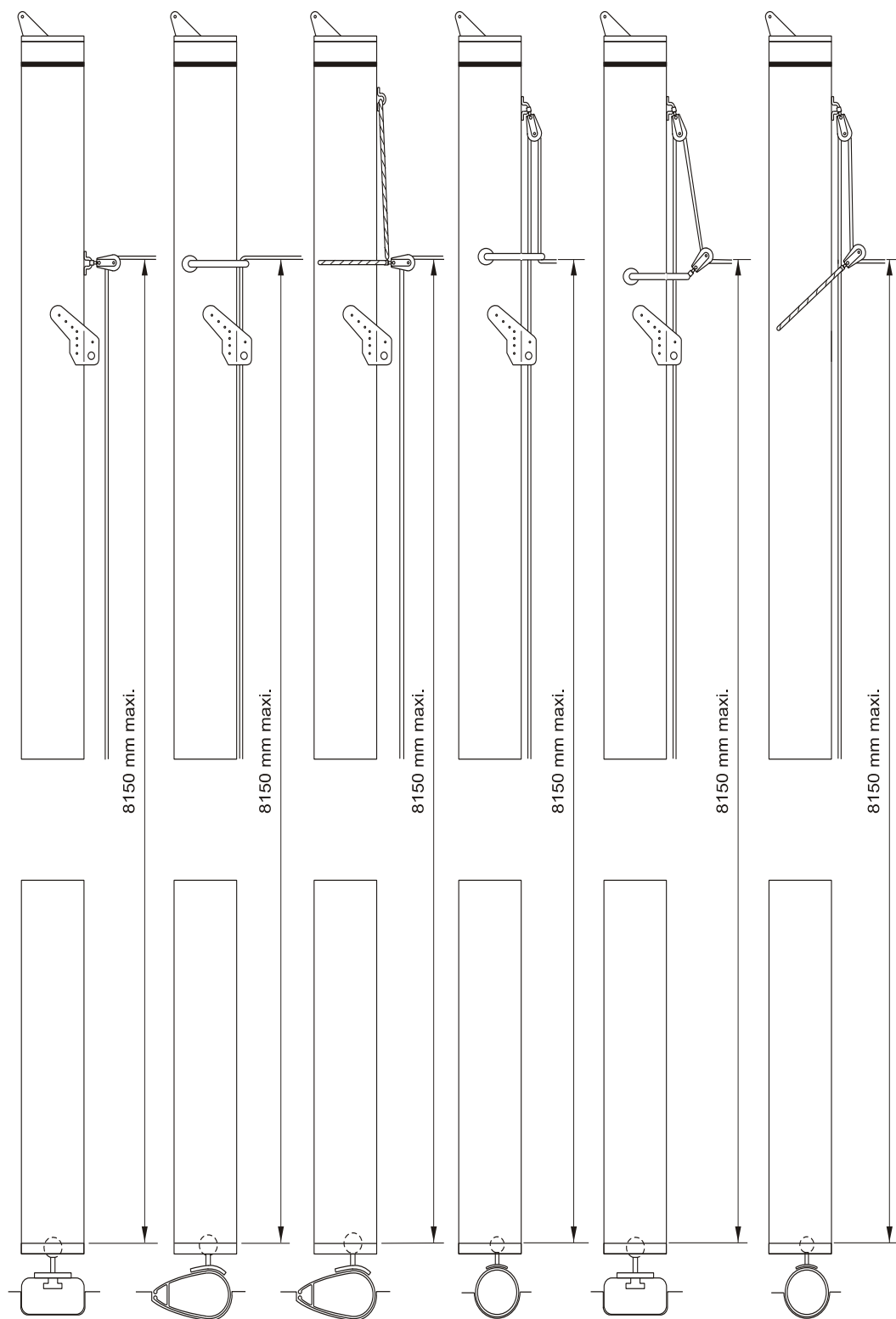
**F.3 MAST
F.3.2 DIMENSIONS
MAST SPAR CIRCUMFERENCE**



385 mm Maximum

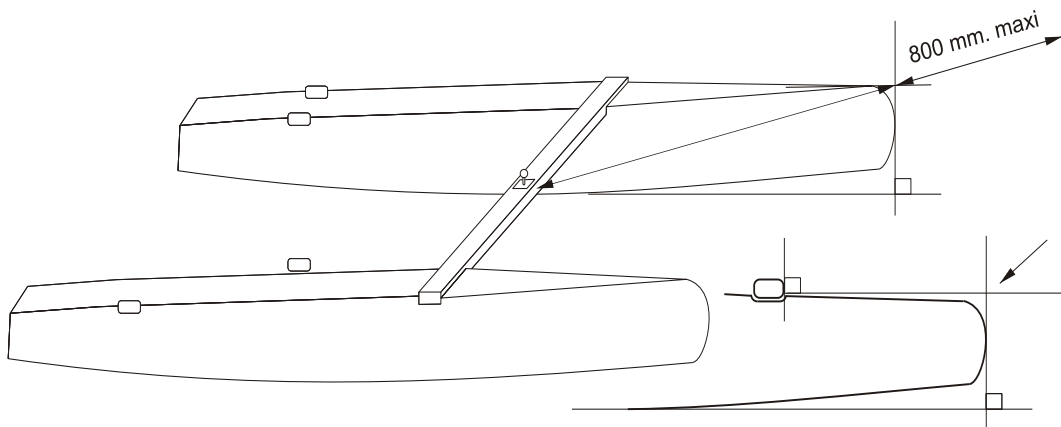
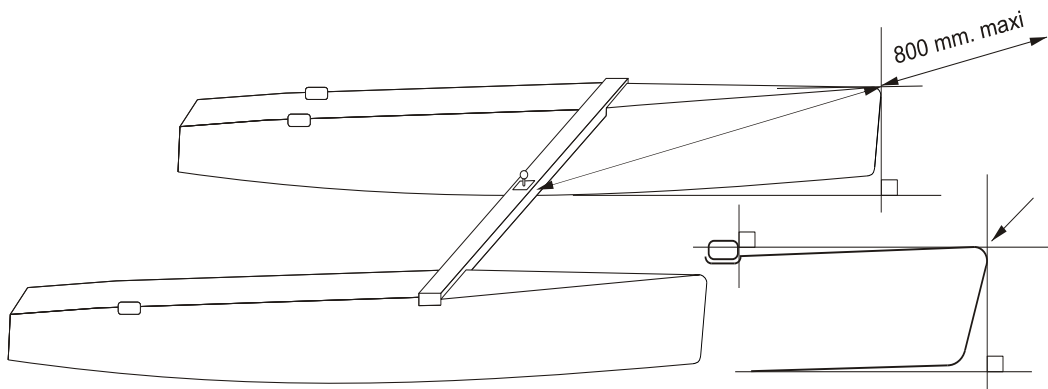
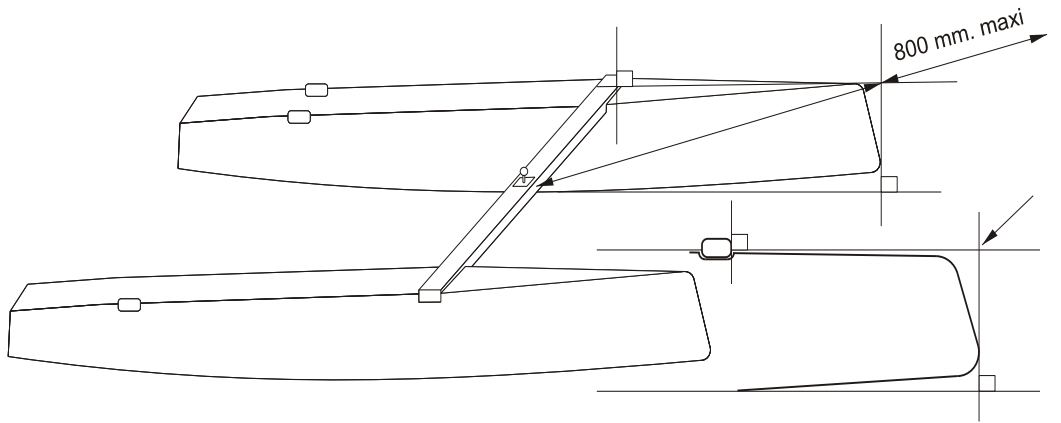
I.F18.A/PCB 01/01

F.3 MAST
F.3.2 DIMENSIONS . SPINNAKER HOIST HEIGHT



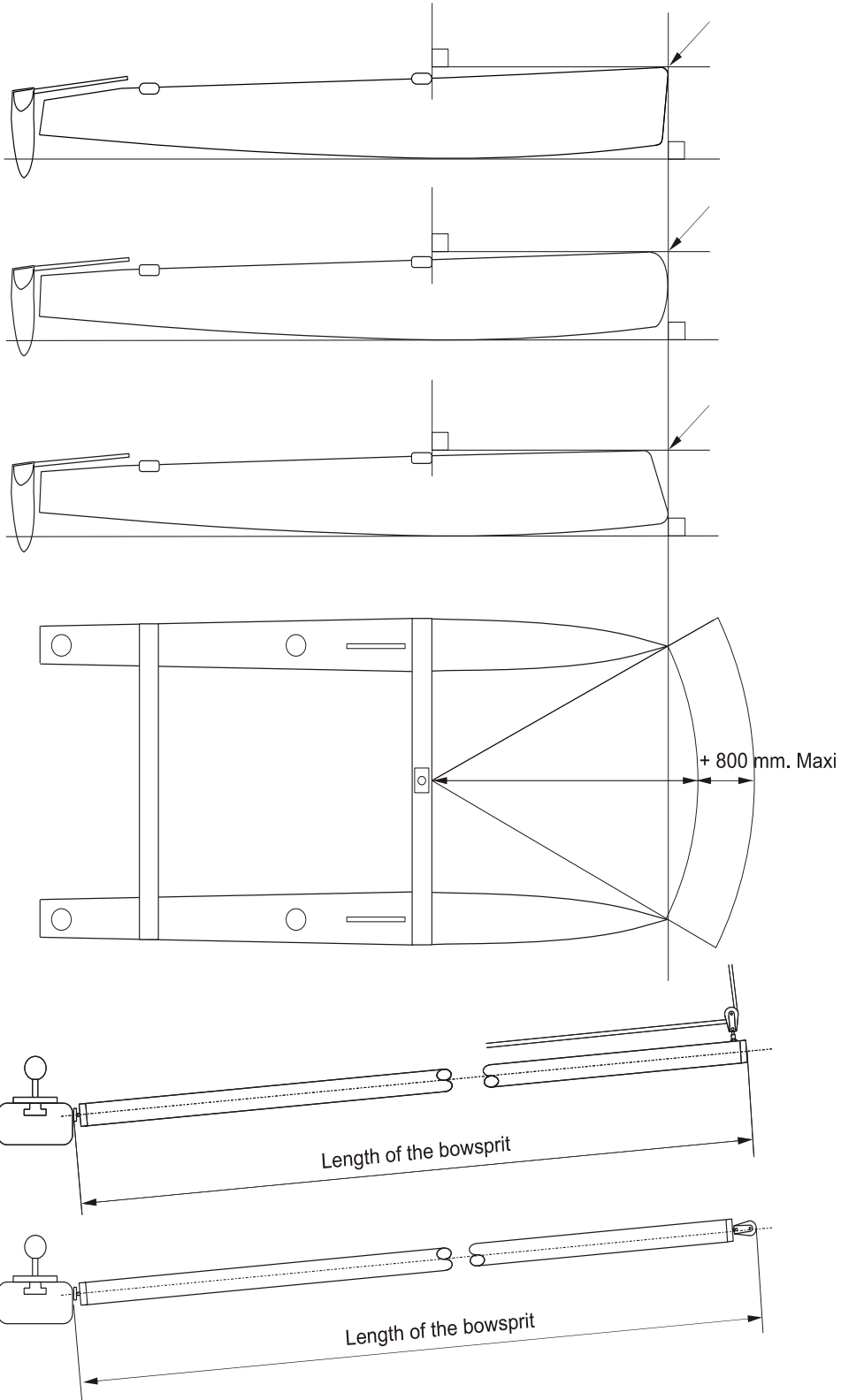
I.F18.A./PCB/05.01

F.5 BOWSPRIT
F.5.5 DIMENSIONS
F.5.5 (a) The maximum length.



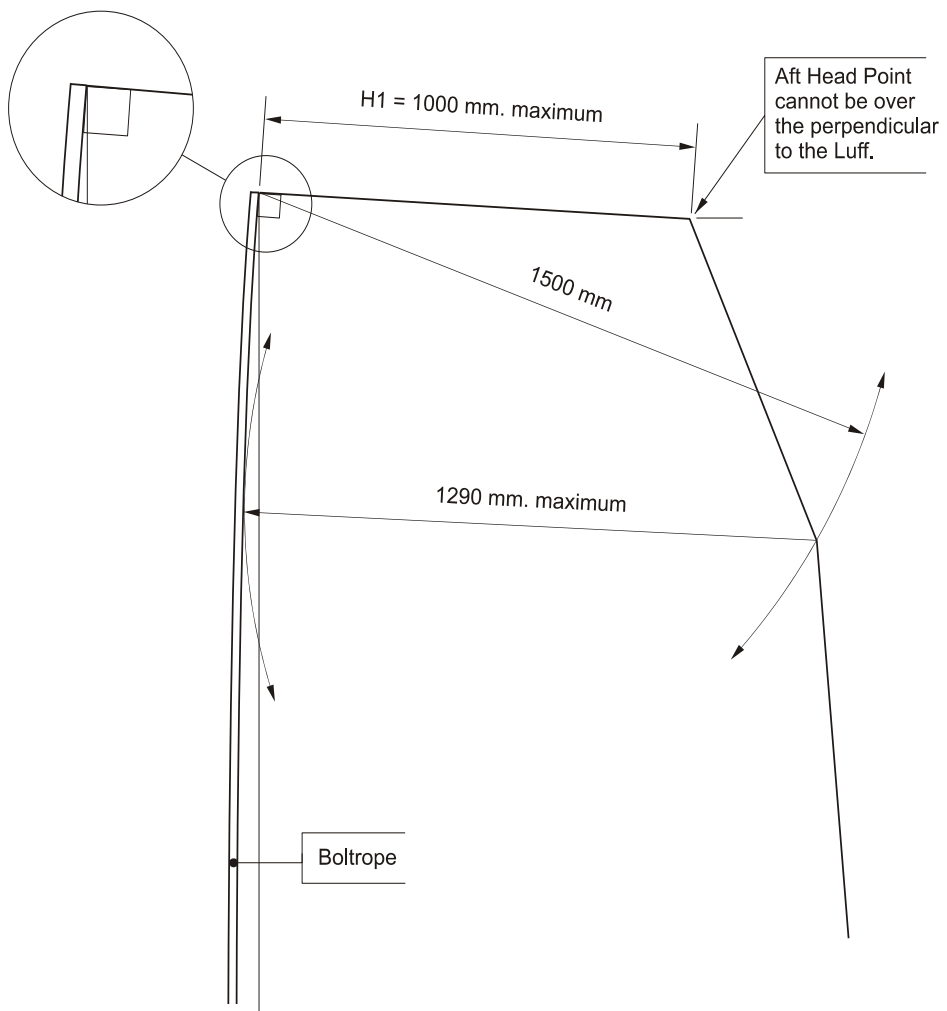
I.F18.A/PCB/11.07

F.5 BOWSPRIT



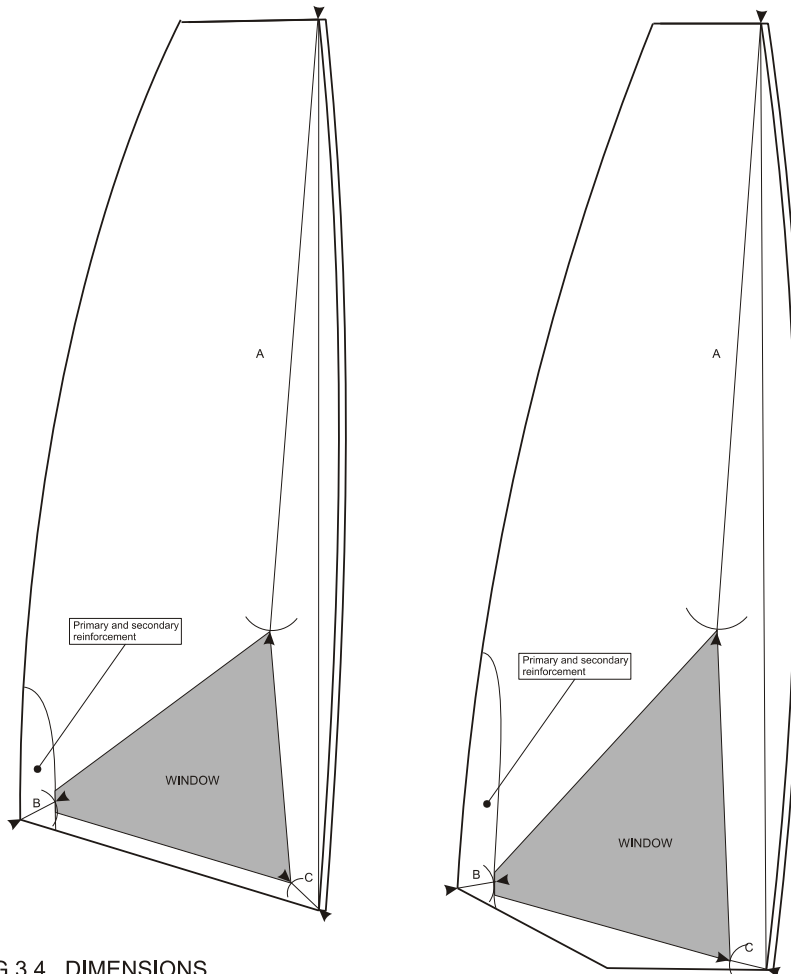
I.F18.A/PCB/11.07

**G.3 MAINSAIL
G.3.5 DIMENSIONS**



I.F18.A/PCB. Mars 2007

MEASUREMENT PROCEDURE MAINSAIL WINDOW



G.3.4 DIMENSIONS

Window area (Appendix c)

- length A, from **head point** to **window area**, maximum 7630mm
- length B, from **clew point** to **window area**, maximum 480mm
- length C, from **tack point** to **window area**, maximum 440mm.

Pierre-Charles BARRAUD
IF18A, Chief measurer.
10/11/2018

APPENDIX D.

CLOTH LIST

MAINSAIL / JIB

See G.3.2 and G.4.1

Manufacturer	Cloth / Style	Material / Fibre	Thickness (mil)	Status	Weight (g/m2)
Bainbridge	Diax 120 P	Polyester	1.5	Active	
Bainbridge	Diax 60 P	Polyester	1.5	Active	
Bainbridge	Diax LSP 60	PEN	1.5	Active	
Bainbridge	Diax LSP 90	PEN	1.5	Active	
Challenge	MPTC 3	Polyester	3.0	Active	
Challenge	MPX 06 P	PEN	1.5	Phasing out Dec. 2015	
Challenge	MPX 06 P	Polyester	1.5	Active	
Challenge	MPX 06 P	PEN	2.5	Phasing out Dec. 2015	
Challenge	MPX 06 P	Polyester	2.5	Active	
Challenge	MPX 12 P	PEN	1.5	Phasing out Dec. 2015	
Challenge	MPX 12 P	Polyester	1.5	Active	
Challenge	MW15OB	Polyester	4.0	Active	
Contender	Apen 06	PEN	1.5	Active	
Contender	Apen 06	PEN	2.5	Active	
Contender	Apen 06	PEN	3.0	Active	
Contender	Apen 12	PEN	1.5	Active	
DIMENSION-POLYANT	Flex 08 P	PEN	1.5	Phasing out Dec. 2015	182
DIMENSION-POLYANT	PE(B) 05	PEN	1.5	Active	154
DIMENSION-POLYANT	PE(B) 05	PEN	3.0	Active	206
DIMENSION-POLYANT	PE(B) 10	PEN	1.5	Active	191
DIMENSION-POLYANT	PE(B) 15	PEN	1.5	Active	227
DIMENSION-POLYANT	PX 05	Polyester	1.5	Active	152
DIMENSION-POLYANT	PX 10	Polyester	1.5	Active	193
DIMENSION-POLYANT	PX 15	Polyester	1.5	Active	223
DIMENSION-POLYANT	PXB 10	Polyester	1.5	Active	194
DIMENSION-POLYANT	PXB 15	Polyester	1.5	Active	223
Pryde	F18 X	Polyester	3.0	Active	

WINDOW

Any monofilm/polyester, not containing aramid or carbon fibres and not lighter than 3.0 oz
--

APPENDIX D.

CLOTH LIST

GENNAKER

See G.5.1

Manufacturer	Cloth / Style	Material	Finish	Status	Weight (g/m ²)
Bainbridge	AIRX620NS	Nylon	Silicone	Active	37
Bainbridge	AIRX650	Nylon		Active	40
Bainbridge	AIRX700	Nylon		Active	45
Bainbridge	AIRX720NS	Nylon	Silicone	Phased out	45
Bainbridge	MPEX 70	Nylon		Active	40
Challenge	Elite 40 coated	Nylon		Active	40
Challenge	Elite 45 coated	Nylon		Active	45
Challenge	FibreMax	Nylon		Active	77
Contender	Dynakote 75	Nylon	Silicone	Active	40
Contender	Maxikote 100	Polyester		Active	50
Contender	Maxikote 70	Polyester		Active	38
Contender	Superkote 75	Nylon		Active	40
Contender	Superkote 80	Nylon		Active	42
Contender	Superkote 90	Nylon		Active	46
DIMENSION-POLYANT	6611 UCP Australia	Polyester		Active	34
DIMENSION-POLYANT	7722 UCP	Polyester		Phasing out Dec. 2015	40
DIMENSION-POLYANT	CHS 32	Nylon		Active	44
DIMENSION-POLYANT	CHS 90	Nylon		Phasing out Dec. 2015	96
DIMENSION-POLYANT	Dilon	Nylon		Phasing out Dec. 2019	43
DIMENSION-POLYANT	Formulon 75	Nylon		Phasing out Dec. 2015	39
DIMENSION-POLYANT	RPN 075	Nylon		Active	40
DIMENSION-POLYANT	SCN 32	Nylon	Silicone	Active	46
Mazu Sailcloth	N075C2	Nylon	Silicone	Active	40